

SERIES TTS

DIGITAL TORQUE METER

- ◆ Adjustable open size for fixing
- ◆ Peak, preset and real-time working mode
- ◆ Unit: N.m, N.cm, kgf.cm, lbf.cm, lbf.in
- ◆ Memory: 1000
- ◆ Power off automatically
- ◆ With software, can show the torque graph

SPECIFICATION

Code	TTS1	TTS5
Range	1N.m	5N.m
Accuracy	±0.3% FS(full scale)	
Resolution	0.001N.m	
Memory	1500	
Output	USB and RS232	
Power	rechargeable battery	
Weight	0.7kg	

INCLUDED ACCESSORIES

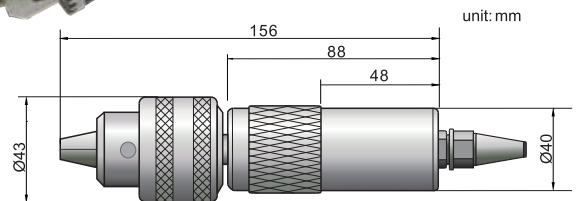
Main unit	1pc
Charger	1pc
Software with cable	1pc
Wrench	1pc

OPTIONAL ACCESSORIES

Wireless printer	PR100
Test stand	TTS-STD



TTS5



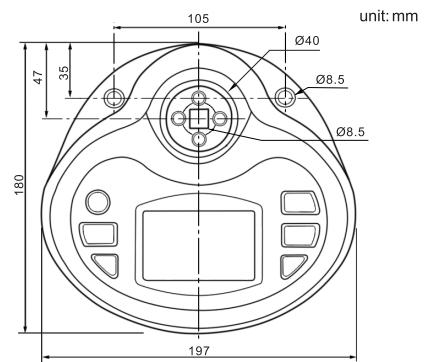
SERIES TTB

DIGITAL TORQUE METER

- ◆ For torque wrench and torque screwdriver calibration
- ◆ Peak, preset and real-time working mode
- ◆ Unit: N.m, N.cm, kgf.cm, lbf.cm, lbf.in
- ◆ Memory: 1500
- ◆ Power off automatically
- ◆ With software, can show the torque graph



TTB10



SPECIFICATION

Code	TTB5	TTB10	TTB50	TTB100
Range	5N.m	10N.m	50N.m	100N.m
Accuracy	±0.3% FS(full scale)			
Resolution	0.001N.m	0.01N.m	0.01N.m	0.1N.m
Size of square drive	1/2"			
Output	USB and RS232			
Power	rechargeable battery			
Weight	1.5kg			

INCLUDED ACCESSORIES

Main unit	1pc
Charger	1pc
Software with cable	1pc
Convertor	1pc

OPTIONAL ACCESSORIES

Wireless printer	PR100
------------------	-------

